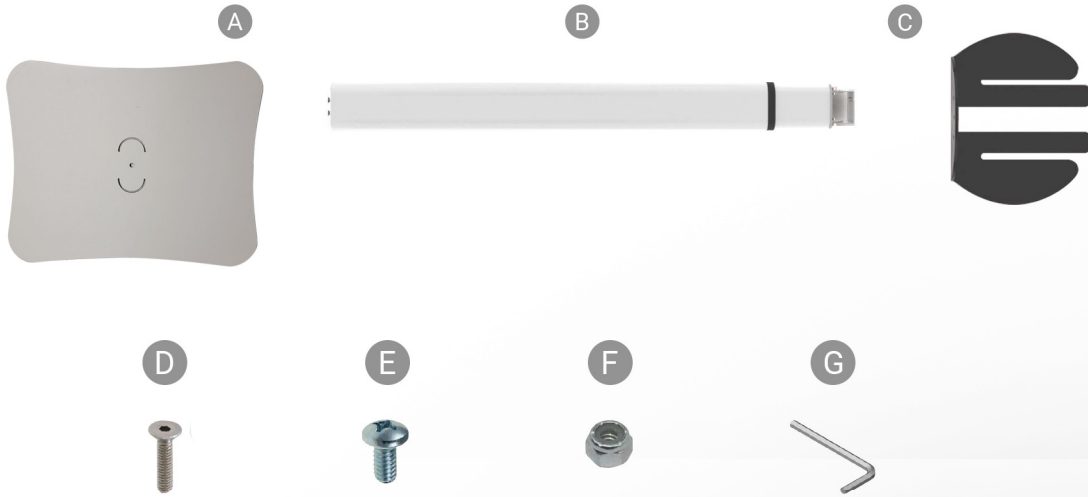


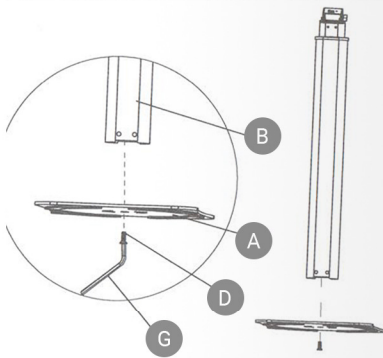


RING ROAMER STAND

ASSEMBLY INSTRUCTION

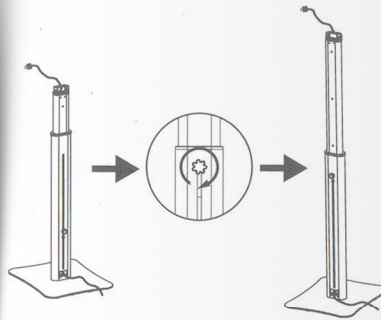


STEP 1



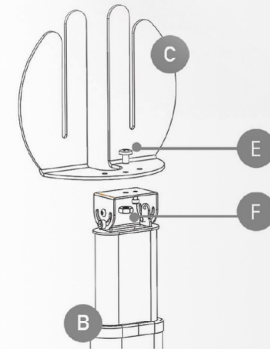
LOCK THE BASE TO THE STAND
(see illustration for easy installation)

STEP 2



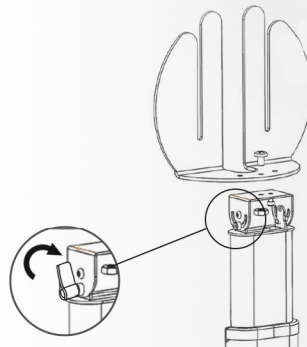
ADJUST TO THE REQUIRED HEIGHT
AND MANAGE THE CABLE

STEP 3



MOUNTING THE VESA PLATE

STEP 4



TILT AND ADJUST TO THE
DESIRED ANGLE

STEP 5



USE THE REMOTE TO
CONTROL THE LED.

